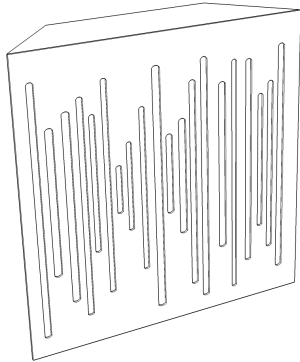


Super Bass Extreme | Wall

Page 1 of 1 |



Required Apparatus:

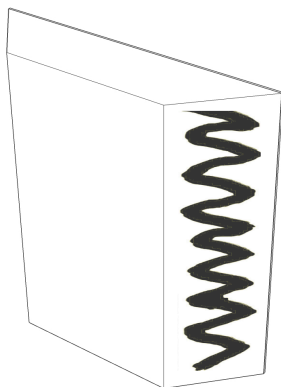
- Super Bass Extreme (Panel)
- Vicoustic Flexi Glue
- 1 x Glue Gun

Installation Instructions:

Wall surfaces should be examined prior to installation, ensuring they are clean, smooth, and dry. If you have unpainted gypsum board surfaces, these should be primed with a drywall primer (or another material manufactured especially for the purpose), to equalize the absorption between the gypsum board face paper, joint compound, and skin coating materials. You should then apply the paint, and allow air circulation in order to dry the paint within the time frame specified by the paint manufacturer. Please ensure the paint is dry before installing the acoustic panel. Make sure the room has all the conditions necessary to receive the acoustic panels. After you apply the glue on the back of each acoustic panel, please ensure you hold the acoustic panel on the wall the required time (mentioned below), and ensure it stays fixed in place.

STEP 1

Apply Vicoustic Flexi Glue at the back of the Super Bass Extreme acoustic panel, like shown on the image below.



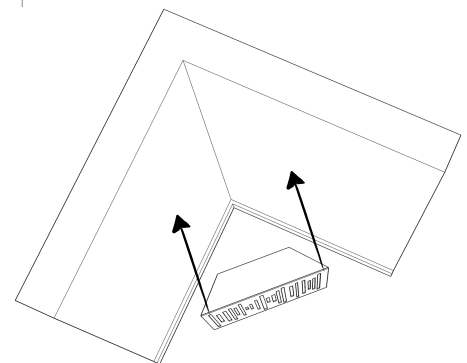
STEP 2

Apply Vicoustic Flexi Glue on both sides as shown on the image below.



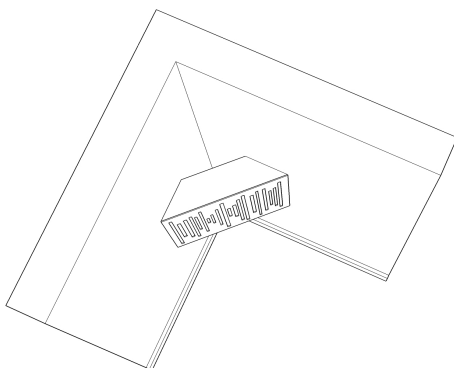
STEP 3

Apply the acoustic panel on the wall surface.



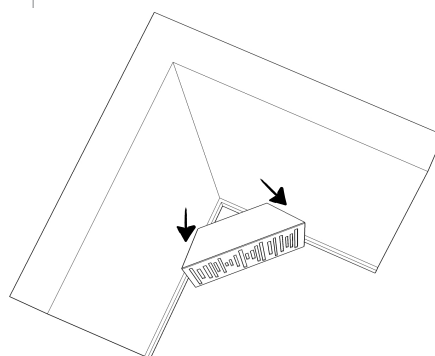
STEP 4

Leave the Super Bass Extreme glued on the surface for 15 seconds.



STEP 5

Remove the Super Bass Extreme slightly from the wall surface (approximately 2 cm) during 15 seconds.



STEP 6

Apply again the Super Bass Extreme on the surface and hold for 1 minute and ensure it stays fixed in place.

